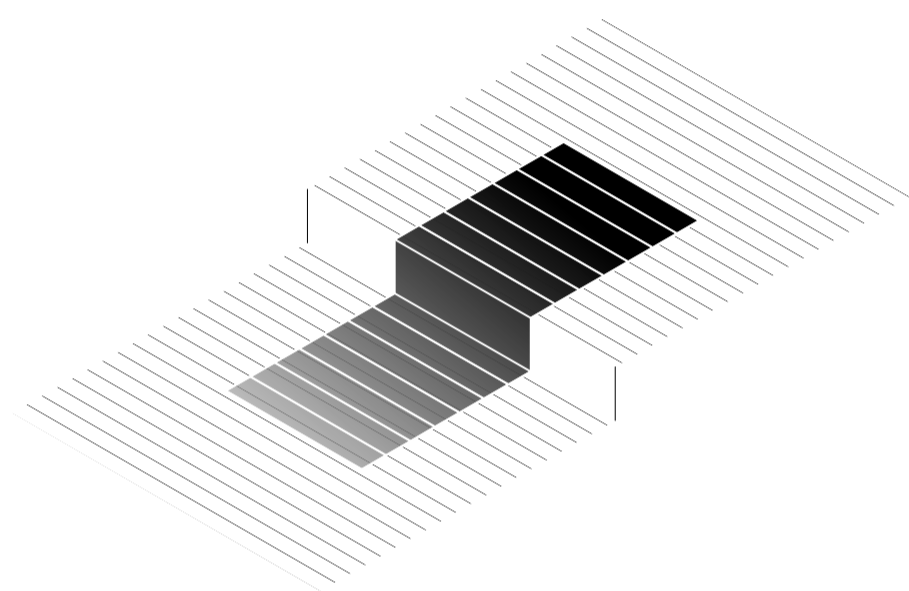
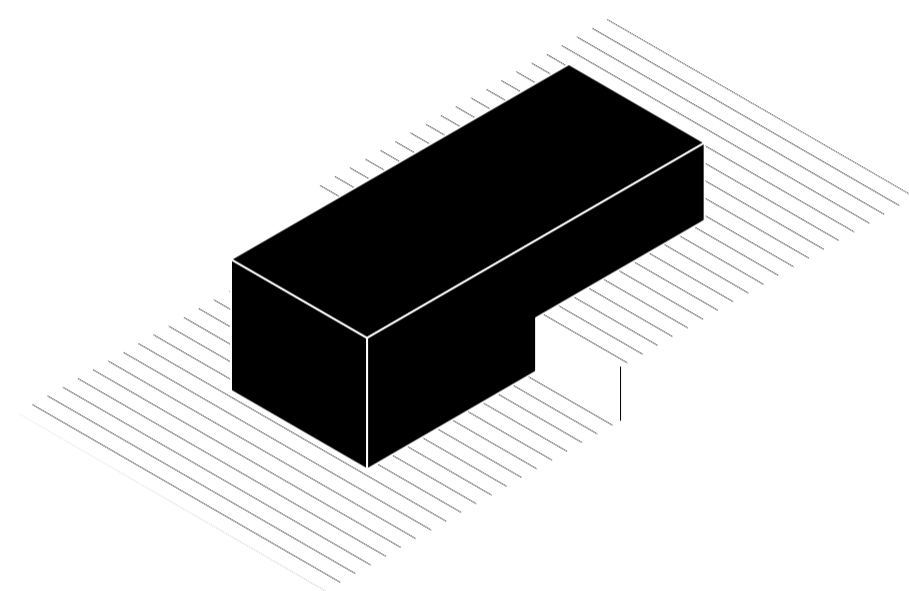


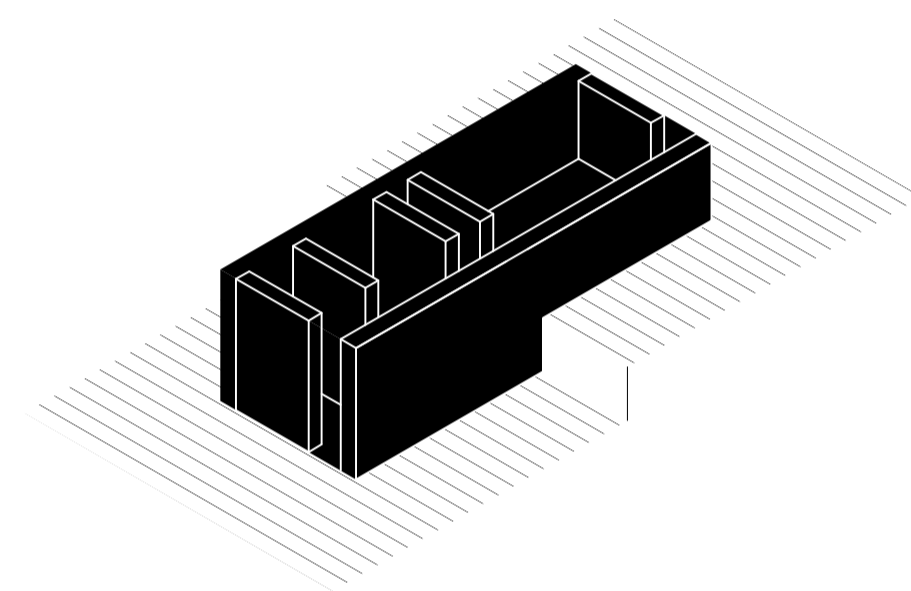
create zones



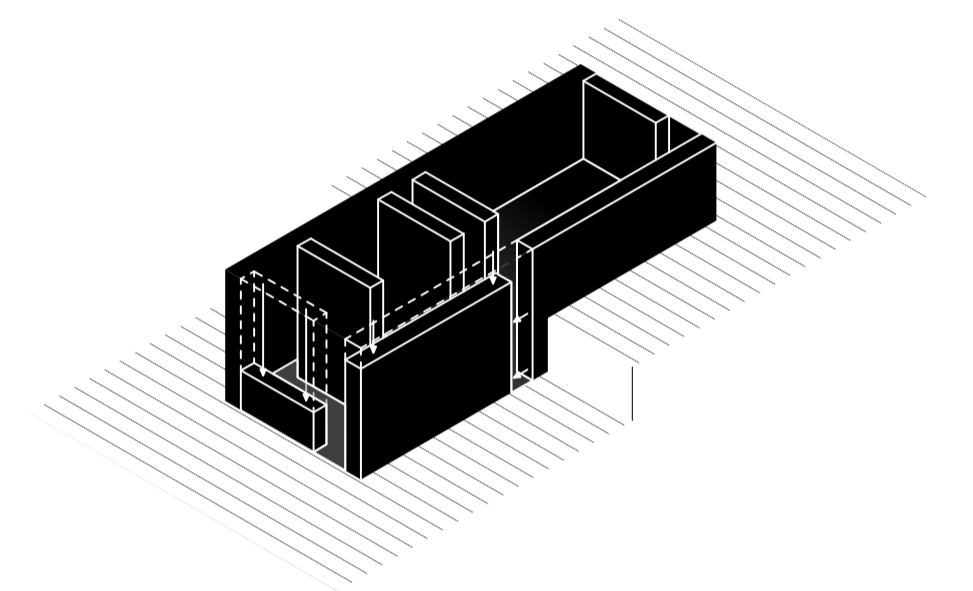
structure



connect different levels



room layout



shaping with in respect,
process, paths, vistas, daylight